



CROWN RF



Crown RF
2005A Industrial Blvd.
Rockwall, TX 75087

972-771-4711
972-771-9499 (fax)
800-225-3429 (toll free)

E-Mail: sales@crownerf.com

Website: www.crownerf.com

Crown P/N: CRD-2240-CR

Description: 7/16 (M) Crimp LMR-240
w/Captivated Contact (**See Note**)

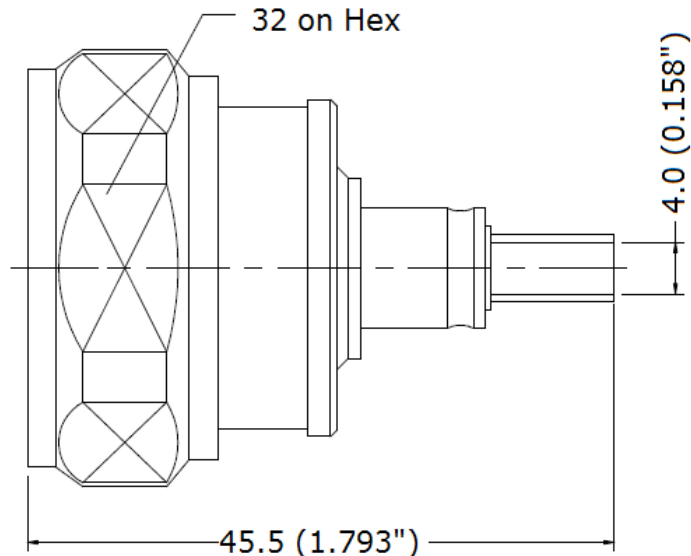
Body: *White Bronze / Brass

Insulation: Teflon

Contact: Silver / Beryllium Copper

NOTE:

This connector has a captivated 7/16 male pin. For effective termination, the connector assembly includes a smaller male pin (.068" OD) to be crimped or soldered onto the center conductor, for insertion into the rear entry section of the connector. After it's properly seated the sleeve can be crimped (.255").



Additional Info:

- Frequency: DC to 7.5 GHz
- Impedance: 50 Ohm
- Temp Range: -65° C to 125° C

*White Bronze (copper-tin-zinc alloy)

- Corrosion Resistant
- Lead-Free
- Non-magnetic
- Solderable
- 2002/95/EC (RoHS) Compliant

