



CROWN RF



Crown RF
2005A Industrial Blvd.
Rockwall, TX 75087

972-771-4711
972-771-9499 (fax)
800-225-3429 (toll free)

E-Mail: sales@crownerf.com

Website: www.crownerf.com

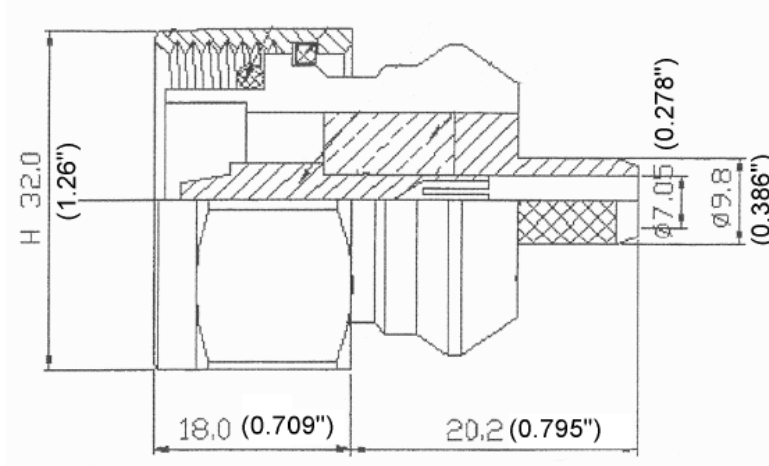
Crown P/N: CRD-2400

Description: 7/16 (M) Crimp LMR-400
(Pin can be soldered or crimped)

Body: *White Bronze / Brass

Insulation: Teflon

Contact: Silver / Brass



Additional Info:

- Frequency: DC to 7.5 GHz
- Impedance: 50 Ohm
- Temp Range: -65° C to 125° C

*White Bronze (copper-tin-zinc alloy)

- Corrosion Resistant
- Lead-Free
- Non-magnetic
- Solderable
- 2002/95/EC (RoHS) Compliant

