



CROWN RF



Crown RF
2005A Industrial Blvd.
Rockwall, TX 75087

972-771-4711
972-771-9499 (fax)
800-225-3429 (toll free)

E-Mail: sales@crownerf.com

Website: www.crownerf.com

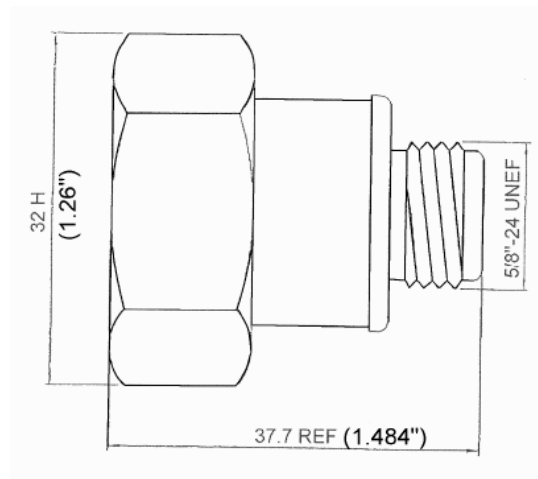
Crown P/N: CRD-7525

Description: 7/16 Male – 7/16 Female

Body: *White Bronze / Brass

Insulation: Teflon

Contact: Silver / Brass



*White Bronze (copper-tin-zinc alloy)

- Corrosion Resistant
- Lead-Free
- Non-magnetic
- Solderable
- 2002/95/EC (RoHS) Compliant

Additional Info:

- Frequency: DC to 7.5 GHz
- Impedance: 50 Ohm
- Temp Range: -65 °C to 125 °C