



CROWN RF



Crown P/N: CRN-1625

Crown RF
2005A Industrial Blvd.
Rockwall, TX 75087

972-771-4711
972-771-9499 (fax)
800-225-3429 (toll free)

E-Mail: sales@crownerf.com

Website: www.crownerf.com

Description: N (Female) Crimp Sleeve (.429)

LMR-400, SW-400, 9913, 9914

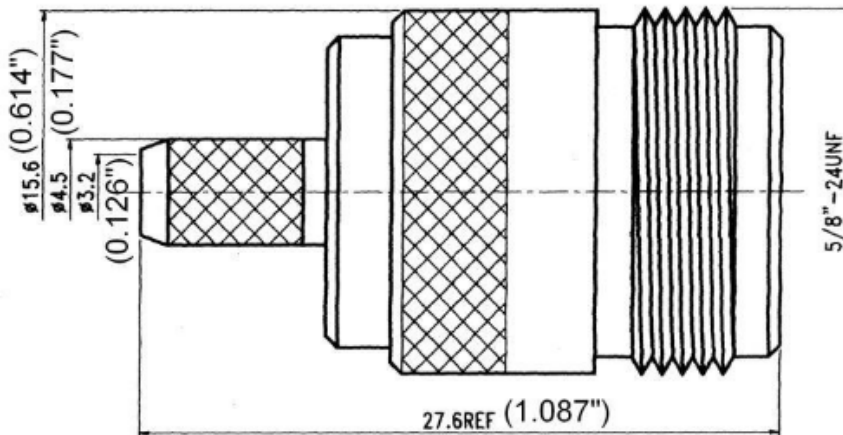
Body: Nickel / Brass

Insulation: Teflon

Contact: Gold-Plated -- Crimp (or solder) Pin (.118)

50 ohm

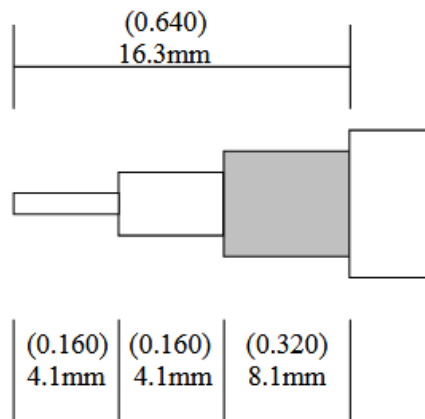
**** ROHS COMPLIANT ****



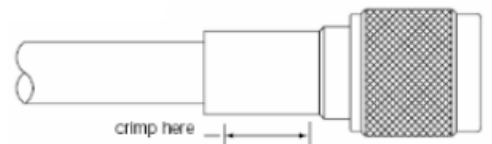
Stripping Information:

All Measurements are in

(Inches)
Millimeters



(.118 pin / .429 sleeve)



Strip Tool - Crown # CS-L400/214
Crimp Tool - Crown # CT-L400/214