



CROWN RF



Solderless – EZ-Style

Crown P/N: CRN-2650QC

Description: N (Female) Crimp LMR-600

**** This 2-pc. Quick-Connect design contains a pin secured in the connector.**

Body: White Bronze / Brass

Insulation: Teflon

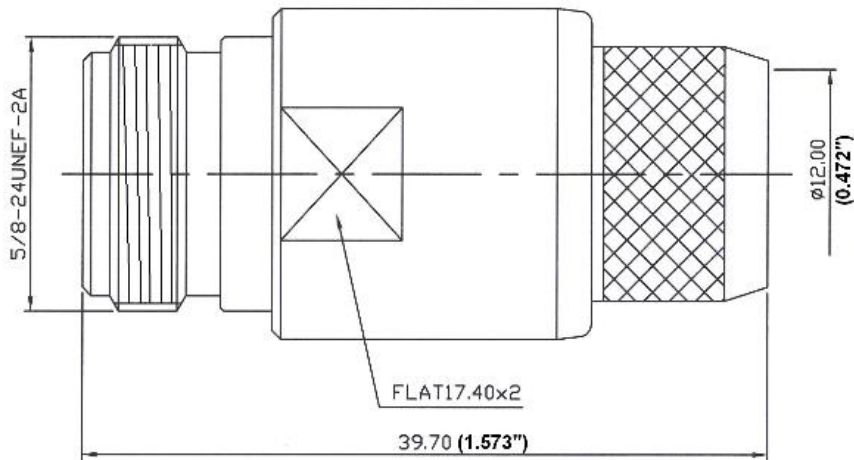
Contact: Gold / Nickel / Brass

Crown RF
2005A Industrial Blvd.
Rockwall, TX 75087

972-771-4711
972-771-9499 (fax)
800-225-3429 (toll free)

E-Mail: sales@crownerf.com

Website: www.crownerf.com



Stripping Information:

All Measurements are in inches.

