



# CROWN RF



Crown RF  
2005A Industrial Blvd.  
Rockwall, TX 75087

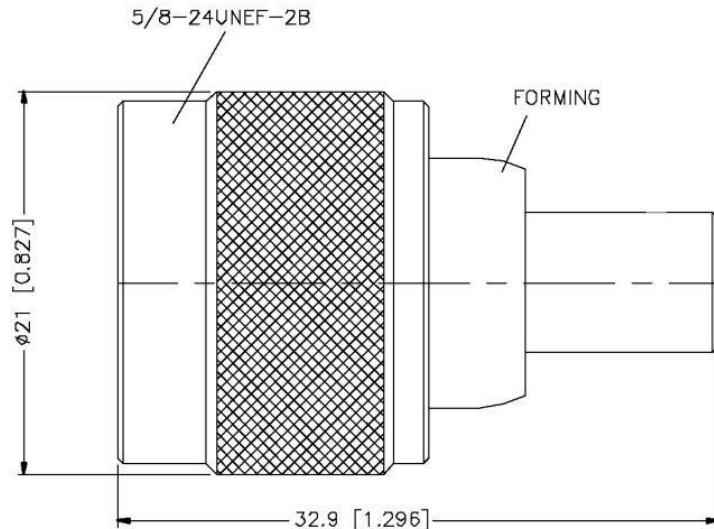
972-771-4711  
972-771-9499 (fax)  
800-225-3429 (toll free)

E-Mail: [sales@crownerf.com](mailto:sales@crownerf.com)

Website: [www.crownerf.com](http://www.crownerf.com)

## Crown P/N: CRNT-50M

|                     |  |
|---------------------|--|
| <b>Description:</b> | <b>N (M) Termination<br/>(50 ohm / 2 watt)</b> |
| <b>Body:</b>        | <b>Nickel / Brass</b>                          |
| <b>Insulation:</b>  | <b>Teflon</b>                                  |
| <b>Contact:</b>     | <b>Gold / Beryllium Copper</b>                 |



### TECHNICAL CHARACTERISTICS

#### *ELECTRICAL*

|                                  |                |
|----------------------------------|----------------|
| Impedance:                       | 50 $\Omega$    |
| Frequency Range:                 | 0-10 Ghz       |
| Dielectric Withstanding Voltage: | 1000 VRMS max. |

#### VSWR

|              |          |
|--------------|----------|
| Straight:    | 1.3 max. |
| Right Angle: | 1.5 max. |

#### CONTACT RESISTANCE

|                       |                          |
|-----------------------|--------------------------|
| Center Contact:       | $\leq 3$ Milli $\Omega$  |
| Outer Contact:        | $\leq 2$ Milli $\Omega$  |
| Insulator Resistance: | $\geq 5000$ Meg $\Omega$ |

#### *MECHANICAL*

|                            |                    |
|----------------------------|--------------------|
| Engagement Force:          | 6 in-lbs max.      |
| Disengagement Force:       | 6 in-lbs max.      |
| Durability (Mating Cycles) | 500 cycles min. ** |

\*\* Beryllium Copper PIN Material Reference