



CROWN RF



Crown RF
2005A Industrial Blvd.
Rockwall, TX 75087

972-771-4711
972-771-9499 (fax)
800-225-3429 (toll free)

E-Mail: sales@crownerf.com

Website: www.crownerf.com

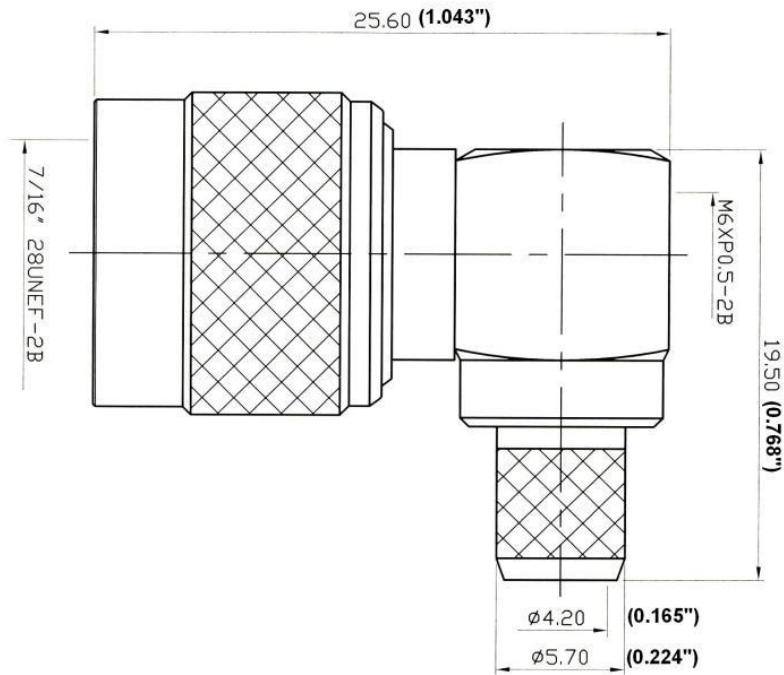
Crown P/N: CRT-3610

Description: TNC (Male) Rt. Angle Crimp LMR-240

Body: Nickel / Brass

Insulation: Teflon

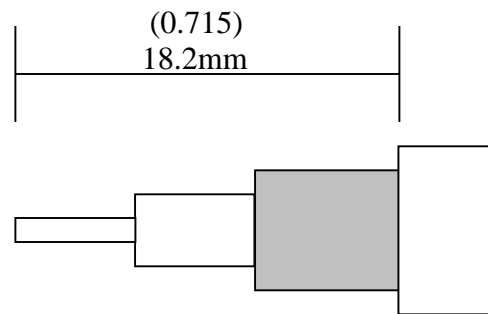
Contact: Gold / Brass



Stripping Information:

All Measurements are in

(Inches)
Millimeters



(0.240)	(0.160)	(0.315)
6.1mm	4.1mm	8.0mm