



CROWN RF



Crown RF
2005A Industrial Blvd.
Rockwall, TX 75087

972-771-4711
972-771-9499 (fax)
800-225-3429 (toll free)

E-Mail: sales@crownerf.com

Website: www.crownerf.com

Solderless – EZ-Style

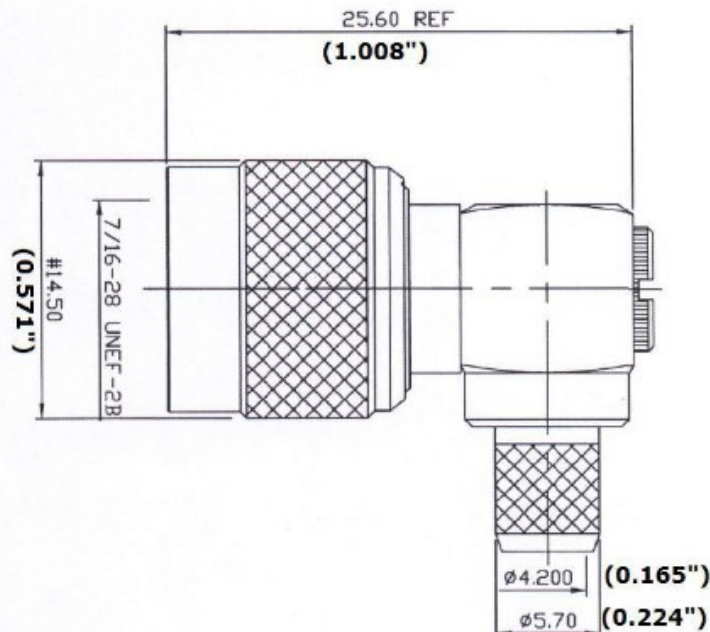
Crown P/N: CRT-3690QC

Description: TNC (Male) Crimp Rt. Angle LMR-240
**** This 2-pc. Quick-Connect design contains a pin secured in the connector.**

Body: Nickel / Brass

Insulation: Teflon

Contact: Gold / Beryllium Copper



Stripping Information:

All Measurements are in inches.

